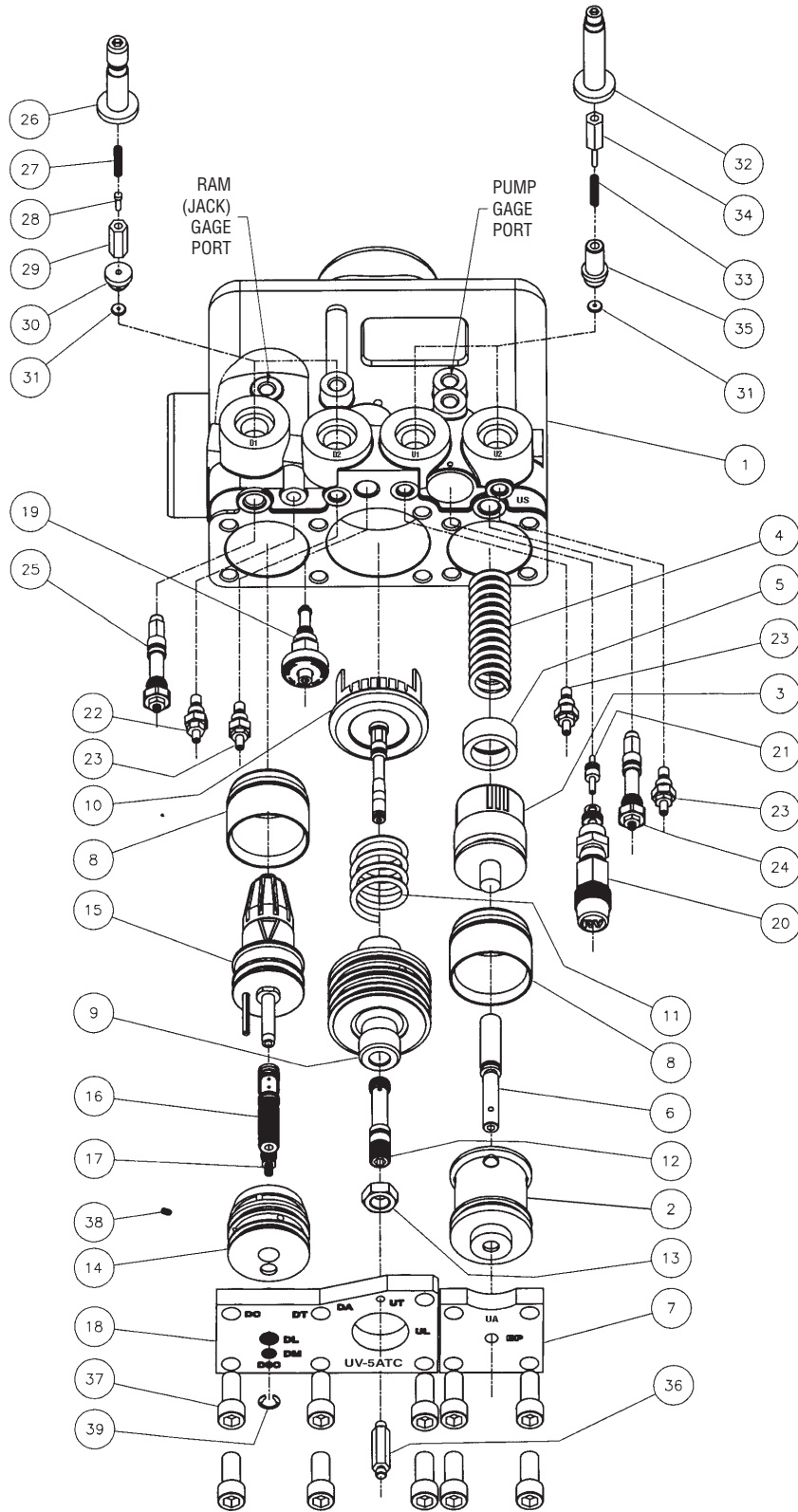


UV-5AT Parts List

ITEM	PART NO.	DESCRIPTION	QTY.
1	5000BA	UV-5AT BODY	1
2	5012C	BYPASS CLOSURE	1
3	5007-TAB	BYPASS PISTON	1
4	5006-1	BYPASS SPRING	1
5	5132A	SPRING CAP ASSEMBLY	1
6	5010	UP FLOW CONTROL SCREW (BP)	1
7	5104	BYPASS FLANGE	1
8	5023A	BYPASS/DOWN SLEEVE	2
9	5045D	CHECK CLOSURE	1
10	5611A-TAB	CHECK PISTON ASSEMBLY	1
11	5018	CHECK SPRING	1
12	5022B	UP LEVELING ADJUSTER (UL)	1
13	5224	CHECK JAMB NUT	1
14	5036B	DOWN CLOSURE	1
15	5026FA-TAB	DOWN PISTON ASSEMBLY	1
16	5033B	DOWN LEVELING ADJUSTER (DL)	1
17	5029B	DOWN FLOW CONTROL SCREW (DM)	1
18	5609	UV-5AT DOWN/CHECK FLANGE	1
19	5211BA	MANUAL LOWERING ASSEMBLY	1
20	5079A	RELIEF VALVE ASSEMBLY	1
21	5122BA	RELIEF VALVE PISTON	1
22	5137A	DOWN TRANSITION ADJUSTER (DT)	1
23	2400A	ADJUSTER ASSEMBLY (US, UT, DA)	3
24	5604A	UA ADJUSTER ASSEMBLY	1
25	5606A	DC ADJUSTER ASSEMBLY	1
26	5129A	N.C. PLUNGER TUBE ASSEMBLY	2
27	5055	N. C. NEEDLE HOLD OUT SPRING	2
28	5059	N.C. HAMMER NEEDLE	2
29	5056	N. C. SOLENOID HAMMER	2
30	5062	N.C. NEEDLE ORIFICE BODY	2
31	5065-4	ORIFICE NEEDLE SEAT	4
32	5128A	N.O. PLUNGER TUBE ASSEMBLY	2
33	5054	N. O. HAMMER LIFT OFF SPRING	2
34	5130A	N.O. PLUNGER ASSEMBLY	2
35	5066BA	N.O. NEEDLE ORIFICE BODY ASSEMBLY	2
36	5108	COVER STAND OFF SCREW	1
37	5005	FLANGE BOLT	16
38	5035	DL RETAINING RING	1

BYPASS PISTON	CHECK PISTON	DOWN PISTON	SIZE
5007-1	5611A-1	5026FA-1	1/8
5007-2	5611A-2	5026FA-2	1/4
5007-3	5611A-3	5026FA-3	1/2
5007-4	5611A-4	5026FA-4	3/4
5007-5	5611A-5	5026FA-5	1
5007-6	5611A-6	5026FA-6	1 1/4
5007-7	5611A-6	5509FA-7	1 1/2

UV-5ATC Valve Exploded View



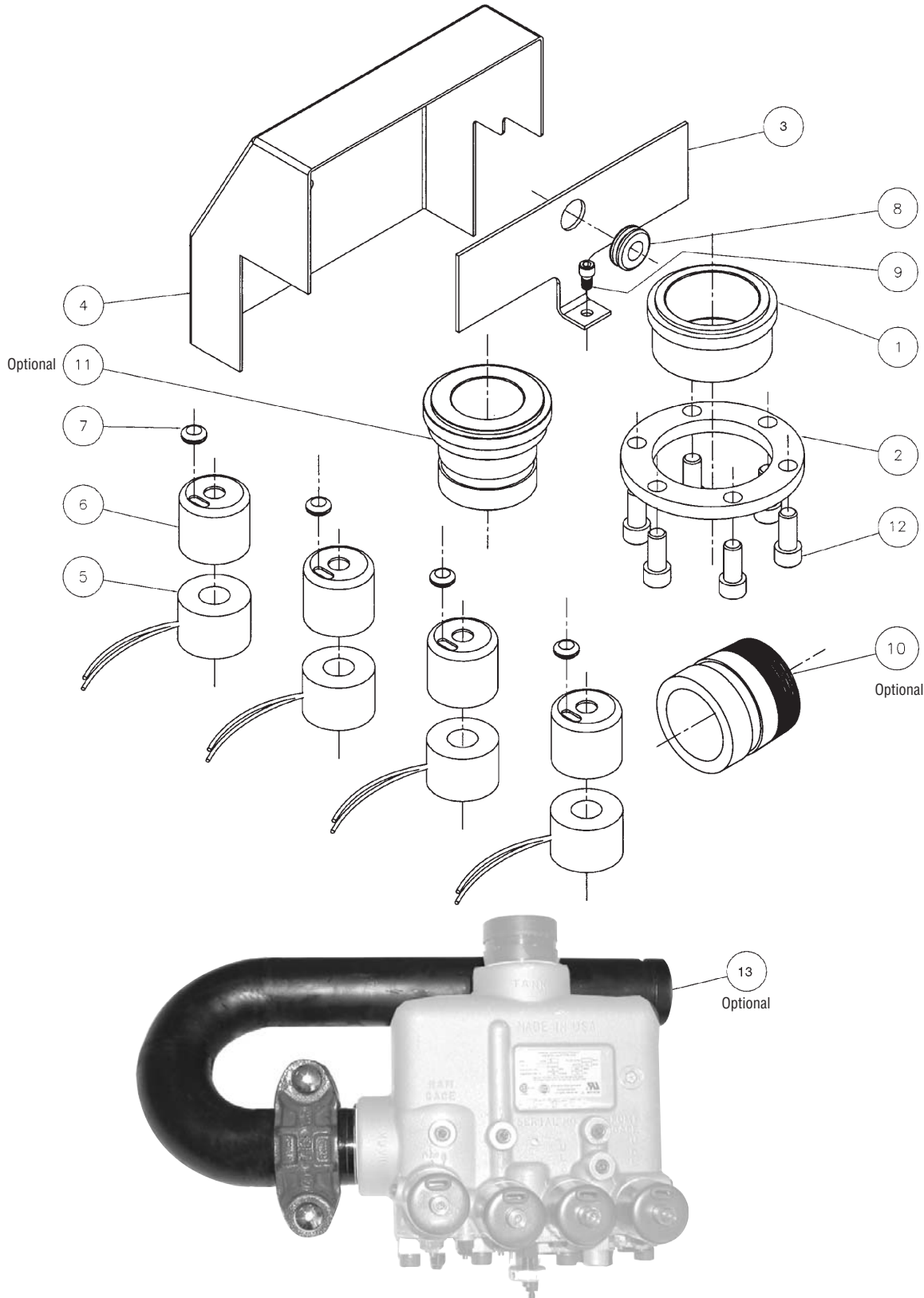
UV-5ATC Parts List

ITEM	PART NO.	DESCRIPTION	QTY.
1	5000BA	UV-5AT BODY	1
2	5012C	BYPASS CLOSURE	1
3	5007-TAB	BYPASS PISTON	1
4	5006-1	BYPASS SPRING	1
5	5132A	SPRING CAP ASSEMBLY	1
6	5010	UP FLOW CONTROL SCREW (BP)	1
7	5104	BYPASS FLANGE	1
8	5023A	BYPASS/DOWN SLEEVE	2
9	5045D	CHECK CLOSURE	1
10	5611A-TAB	CHECK PISTON ASSEMBLY	1
11	5018	CHECK SPRING	1
12	5022B	UP LEVELING ADJUSTER (UL)	1
13	5224	CHECK JAMB NUT	1
14	5517	DSC DOWN CLOSURE	1
15	5509A-TAB	DOWN PISTON ASSEMBLY	1
16	5033B	DOWN LEVELING ADJUSTER (DL)	1
17	5501A-TAB	DSC COMPENSATOR BODY ASSEMBLY	1
18	5609	UV-5ATC DOWN/CHECK FLANGE	1
19	5211BA	MANUAL LOWERING ASSEMBLY	1
20	5079A	RELIEF VALVE ASSEMBLY	1
21	5122BA	RELIEF VALVE PISTON	1
22	5137A	DOWN TRANSITION ADJUSTER (DT)	1
23	2400A	ADJUSTER ASSEMBLY (UD, UT, DA)	3
24	5604A	UA ADJUSTER ASSEMBLY	1
25	5606A	DC ADJUSTER ASSEMBLY	1
26	5129A	N.C. PLUNGER TUBE ASSEMBLY	2
27	5055	N. C. NEEDLE HOLD OUT SPRING	2
28	5059	N.C. HAMMER NEEDLE	2
29	5056	N. C. SOLENOID HAMMER	2
30	5062	N.C. NEEDLE ORIFICE BODY	2
31	5065-4	ORIFICE NEEDLE SEAT	4
32	5128A	N.O. PLUNGER TUBE ASSEMBLY	2
33	5054	N. O. HAMMER LIFT OFF SPRING	2
34	5130A	N.O. PLUNGER ASSEMBLY	2
35	5066BA	N.O. NEEDLE ORIFICE BODY ASSEMBLY	2
36	5108	COVER STAND OFF SCREW	1
37	5005	FLANGE BOLT	16
38	5520	CLOSURE PLUG	1
39	5035	DL RETAINING RING	1

BYPASS PISTON	CHECK PISTON	DOWN PISTON	SIZE
5007-1	5611A-1	5509A-1	1/8
5007-2	5611A-2	5509A-2	1/4
5007-3	5611A-3	5509A-3	1/2
5007-4	5611A-4	5509A-4	3/4
5007-5	5611A-5	5509A-5	1
5007-6	5611A-6	5509A-6	1 1/4
5007-7	5611A-6	5509A-7	1 1/2

NOTE: NOT ALL PARTS SHOWN SOLD INDIVIDUALLY

UV-5AT & UV-5ATC External Parts - Exploded View



UV-5AT & UV-5ATC External Parts List

ITEM	PART NO.	DESCRIPTION	QTY.
1	5231	2" NPT PUMP INLET NIPPLE	1
2	5232	PUMP INLET CLAMP RING	1
3	5040	CONDUIT PLATE	1
4	5107	VALVE COVER	1
5	-	COILS (SEE CHART FOR VOLTAGE)	4
6	5047A	COIL TUBE COVERS	4
7	5042-1	COIL TUBE COVER GROMMET	4
8	5038	CONDUIT PLATE GROMMET	1
9	5039	CONDUIT PLATE SCREW 1/4-20 x 1/4"	1
*10	5366	2" GROOVED ADAPTER	2
*11	5231-VC	2" GROOVED PUMP INLET ADAPTER	1
12	5005	FLANGE BOLT	6
*13	5620A	RIGHT HAND JACK PORT ADAPTER (See page 72)	1

* OPTIONAL PARTS

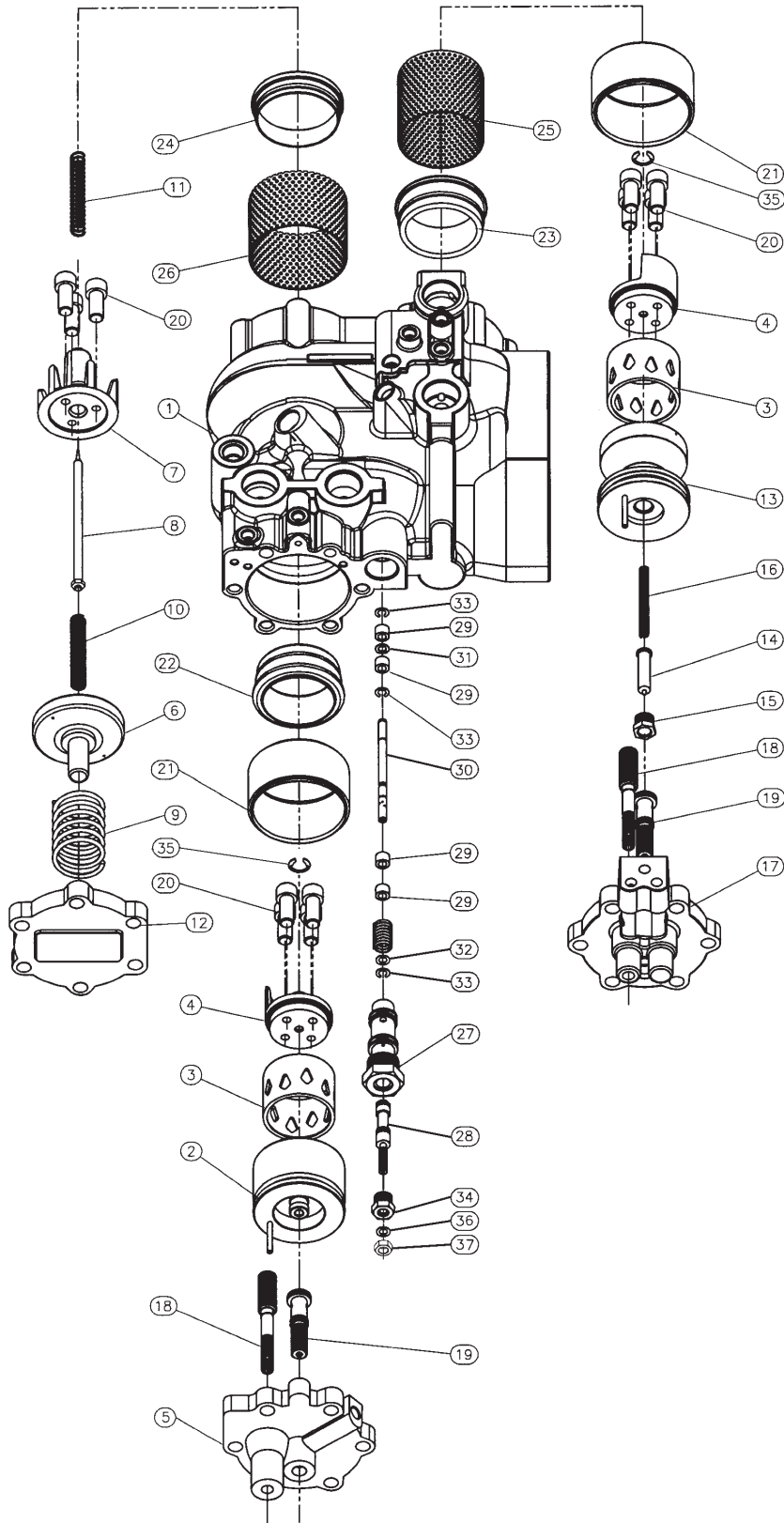
NOTE: NOT ALL PARTS SHOWN SOLD INDIVIDUALLY

PART NO.	VOLTAGE (V)	FREQUENCY (Hz)	IN RUSH CURRENT (A)	HOLDING CURRENT (A)	RESISTANCE (Ohm)	COIL COLOR
SOLENOID COILS FOR UV-5A, UV-5AT, UV-5ATC AND UV-4R VALVES ONLY						
S461	110	60	0.64	0.34	113	GREEN
S462	208	60	0.35	0.22	276	
S453	220	50	0.18	0.15	560	
S463/S401	220/110	60/DC	0.20/0.15	0.15	434	
S464/S403	440/220	60/DC	0.11/0.08	0.08	1765	
S455	24	DC	0.12	0.12	24	
S465	110/12	60/DC	0.64	0.34		
	Black Lead - 12VDC				4.7	
	Yellow Lead - Common					
					84	

All solenoid coils are supplied with 96" leads.

More complete solenoid coil information can be found on page 72.

UV-7B Valve Exploded View

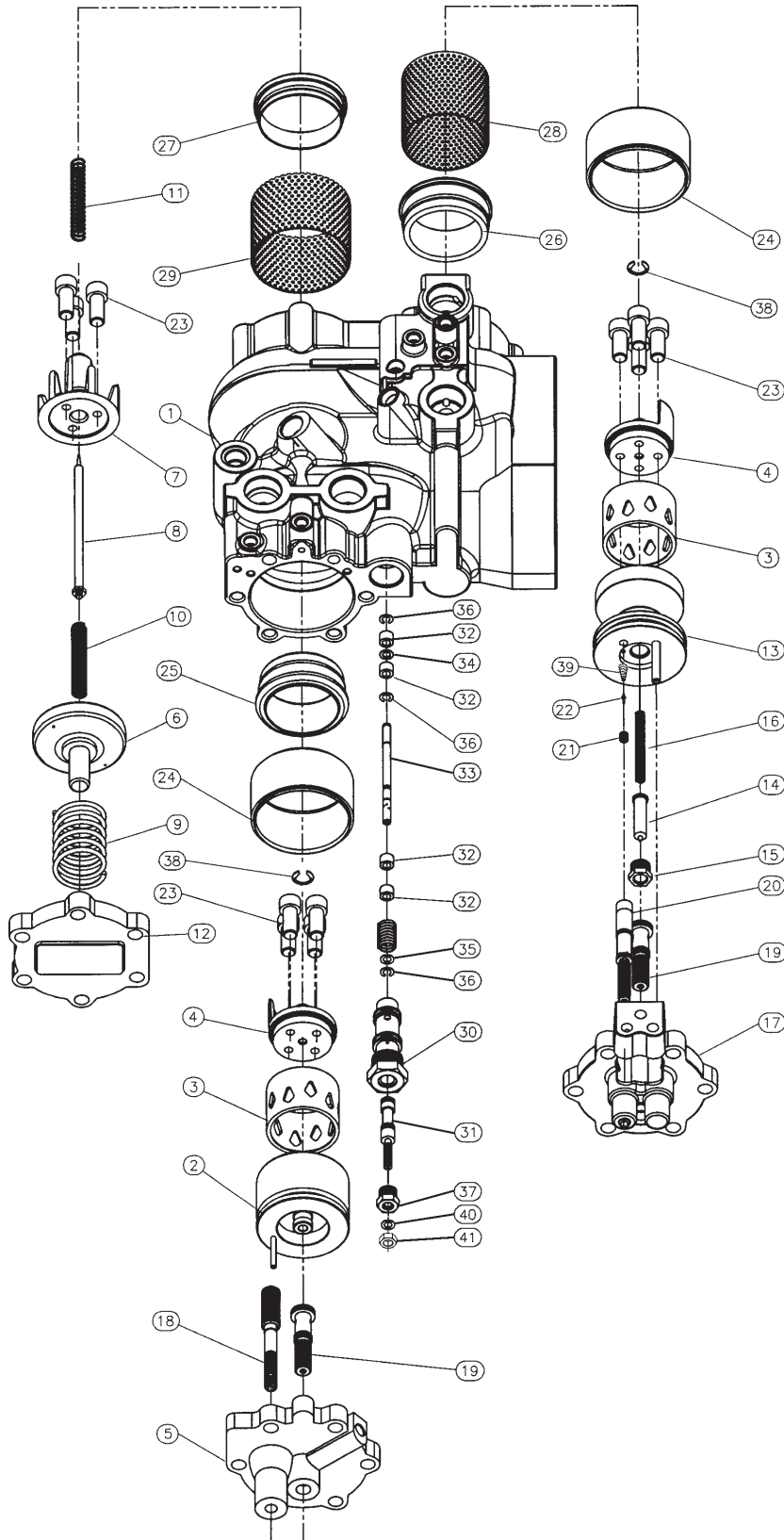


UV-7B Valve Parts List

ITEM	PART NO.	DESCRIPTION	QTY.
1	5250M	UV-7B BODY	1
2	5261	BYPASS PISTON	1
3	5269-1	BYPASS/DOWN PORT RING	2
4	5270	PORT SHIELD	2
5	5258	BYPASS FLANGE	1
6	5255	CHECK VALVE POPPET	1
7	5268	CHECK POPPET GUIDE STEM	1
8	5284BA	UP LEVEL NEEDLE ASSEMBLY	1
9	5308	CHECK PISTON SPRING	1
10	5281	NEEDLE EXTENSION SPRING	1
11	5315B	BYPASS RETURN SPRING	1
12	5252	CHECK FLANGE	1
13	5273	LOWERING PISTON	1
14	5262	DOWN LEVEL NEEDLE	1
15	5263	DOWN LEVEL NEEDLE RETAINING GUIDE NUT	1
16	5280	DOWN LEVEL NEEDLE SPRING	1
17	5251	DOWN FLANGE	1
18	5267	BYPASS/DOWN MAIN SPEED ADJUSTER	2
19	5191BA	LEVELING ADJUSTER ASSEMBLY	2
20	5292A	CAP SCREW 1/4"-20 x 5/8"	11
21	5271	BYPASS/LOWERING CYLINDER SLEEVE	2
22	5272	BYPASS INSERT SEAT RING	1
23	5283	DOWN INSERT SEAT RING	1
24	5282	CHECK INSERT SEAT RING	1
25	5304A	DOWN SCREEN ASSEMBLY	1
26	5306A	PUMP INLET SCREEN ASSEMBLY	1
27	5276	UT BODY ASSEMBLY	1
28	5274	UT ADJUSTER BODY	1
29	5279	UT COMPENSATOR SHAFT PISTON SLEEVE	4
30	5275B	UT COMPENSATOR SHAFT	1
31	5294V	O-RING	1
32	1630V	O-RING	1
33	5303	RETAINER RING	2
34	5277	UT RETAINER NUT	1
35	5367	PORT SHIELD SNAP RING	2
36	5227V	O-RING	1
37	5291	NUT	1

NOTE: NOT ALL PARTS SHOWN SOLD INDIVIDUALLY

UV-7BC Valve Exploded View

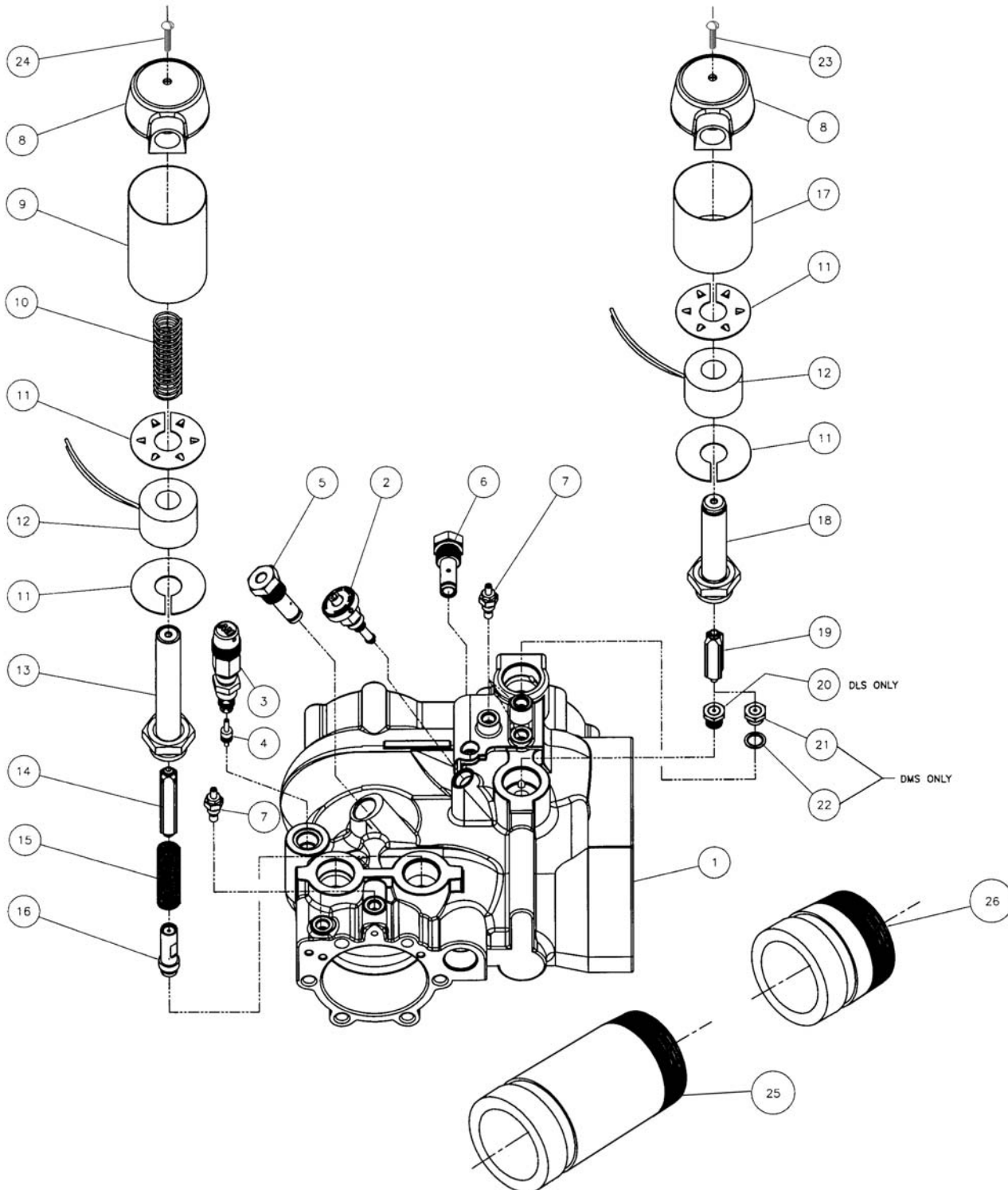


UV-7BC (Constant Down Speed) Valve Parts List

ITEM	PART NO.	DESCRIPTION	QTY.
1	5250M	UV-7B BODY	1
2	5261	BYPASS PISTON	1
3	5269-1	BYPASS/DOWN PORT RING	2
4	5270	PORT SHIELD	2
5	5258	BYPASS FLANGE	1
6	5255	CHECK VALVE POPPET	1
7	5268	CHECK POPPET GUIDE STEMM	1
8	5284BA	UP LEVEL NEEDLE ASSEMBLY	1
9	5308	CHECK PISTON SPRING	1
10	5281	NEEDLE EXTENSION SPRING	1
11	5315B	BYPASS RETURN SPRING	1
12	5252	CHECK FLANGE	1
13	5453	DSC LOWERING PISTON	1
14	5262	DOWN LEVEL NEEDLE	1
15	5263	DOWN LEVEL NEEDLE RETAINING GUIDE NUT	1
16	5280	DOWN LEVEL NEEDLE SPRING	1
17	5458	DSC DOWN FLANGE	1
18	5267	BYPASS MAIN SPEED ADJUSTER	1
19	5191BA	LEVELING ADJUSTER ASSEMBLY	2
20	5457A	DSC COMPENSATOR BODY ASSEMBLY	1
21	5512	DSC CHECK VALVE BODY	1
22	5514	DSC CHECK VALVE PISTON	1
23	5292A	CAP SCREW 1/4"-20 x 5/8"	11
24	5271	BYPASS/LOWERING CYLINDER SLEEVE	2
25	5272	BYPASS INSERT SEAT RING	1
26	5283	DOWN INSERT SEAT RING	1
27	5282	CHECK INSERT SEAT RING	1
28	5304A	DOWN SCREEN ASSEMBLY	1
29	5306A	PUMP INLET SCREEN ASSEMBLY	1
30	5276	UT BODY ASSEMBLY	1
31	5274	UT ADJUSTER BODY	1
32	5279	UT COMPENSATOR SHAFT PISTON SLEEVE	4
33	5275B	UT COMPENSATOR SHAFT	1
34	5294V	O-RING	1
35	1630V	O-RING	1
36	5303	RETAINER RING	2
37	5277	UT RETAINER NUT	1
38	5367	PORT SHIELD SNAP RING	2
39	5628	DSC CHECK VALVE SPRING	1
40	5227V	O-RING	1
41	5291	NUT	1

NOTE: NOT ALL PARTS SHOWN SOLD INDIVIDUALLY

UV-7B & UV-7BC Valve External Parts Exploded View



UV-7B & UV-7BC Valve External Parts List

ITEM	PART NO.	DESCRIPTION	QTY.
1	5250M	UV-7B BODY	1
2	5211BA	MANUAL LOWERING ASSEMBLY	1
3	5079A	RELIEF VALVE ASSEMBLY	1
4	5122BA	RELIEF VALVE PISTON	1
5	5363A	UA FILTER INPUT	1
6	5260-1	DC FILTER INPUT	1
7	5349A	ADJUSTER ASSEMBLY	5
8	2133	COIL COVER CAP	4
9	2122	COIL COVER TUBE N/O	2
10	1275	PISTON SPRING N/O	2
11	1062	COIL WASHER	8
12	-	COILS (SEE CHART FOR VOLTAGE)	4
13	2129A	PLUNGER ENCLOSURE N/O	2
14	2125A	SOLENOID PLUNGER ASSEMBLY N/O	2
15	2132	PLUNGER SPRING N/O	2
16	2391A	NEEDLE ORIFICE ASSEMBLY N/O	2
17	2120	COIL COVER TUBE N/C	2
18	2164A	PLUNGER ENCLOSURE N/C	2
19	1456DA	SOLENOID HAMMER ASSEMBLY N/C	2
20	5353A	NEEDLE ORIFICE SEAT ASSY. (DLS)	1
21	1465BA	NEEDLE ORIFICE SEAT ASSY. (DMS)	1
22	1458B	NEEDLE ORIFICE WASHER	1
23	1051-4	LONG SCREW SPACER N/C	2
24	1051-1	SHORT SCREW SPACER N/O	2
25	5633	2.5" LONG GROOVED ADAPTER (Optional)	1
26	5632	2.5" SHORT GROOVED ADAPTER (Optional)	2

NOTE: NOT ALL PARTS SHOWN SOLD INDIVIDUALLY

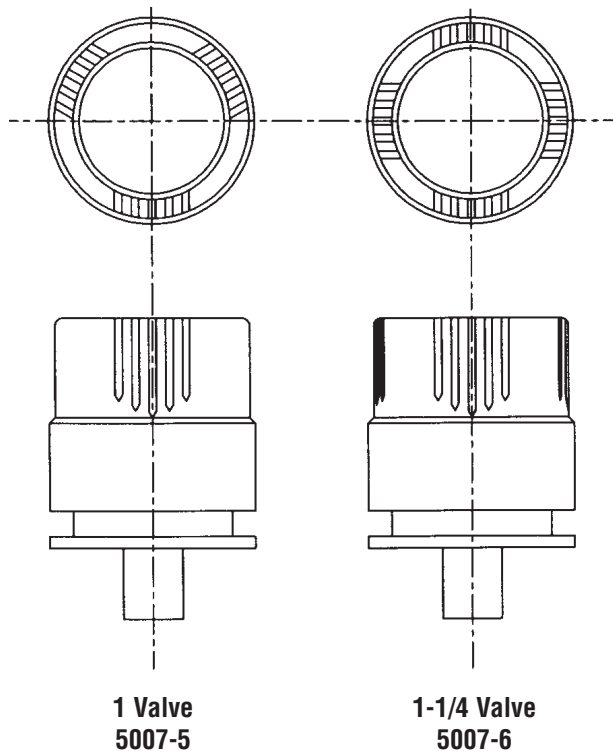
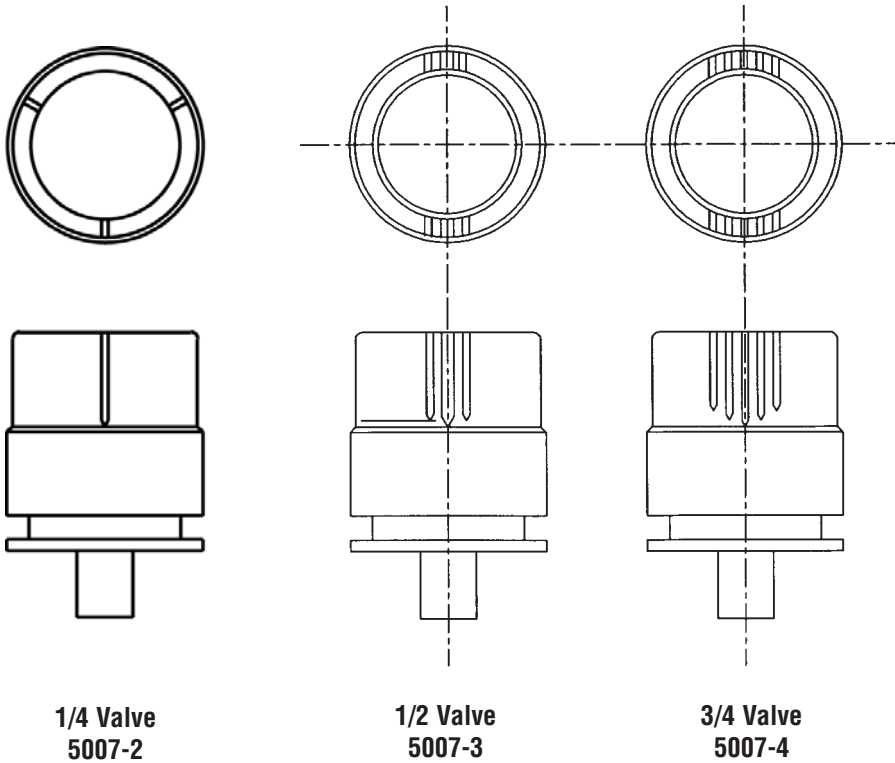
PART NO.	VOLTAGE (V)	FREQUENCY (Hz)	IN RUSH CURRENT (A)	HOLDING CURRENT (A)	RESISTANCE (Ohm)	COIL COLOR
SOLENOID COILS FOR UV-7B AND UV-7BC VALVES ONLY						
S651	110	60	1.41	0.60	32	BLACK
S652	208	60	0.75	0.32	102	
S653	220	60	0.70	0.30	136	
S654	440	60	0.35	0.15	520	
S655	550	60	0.26	0.11	833	
S656	220	50	0.59	0.25	199	
S752	110	DC	0.40	0.40	245	
S753	220	DC	0.20	0.20	985	

All solenoid coils are supplied with 96" leads.

More complete solenoid coil information can be found on page 72.

UV-5AT & TC Bypass V-Guide Pistons

Note: When replacing the bypass piston on older **S-series** (or earlier) **UV-5A** valves, you **MUST** use the UV-5A Bypass Piston & Spring Replacement Kit (Part Number 5006A-X) on page 61.





Elevator Equipment Corporation

4035 Goodwin Avenue, Los Angeles, CA 90039 - (800) 423-2800

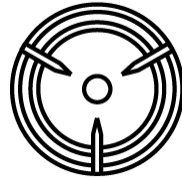
2230 N.W. 12th Street, Richmond, IN 47374 - (800) 428-6564

LA Fax: (323) 245-9771 - Richmond, IN Fax: (765) 966-7299

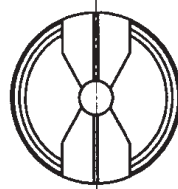
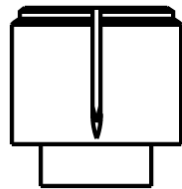
www.elevatorequipment.com and www.eecovalves.com

EECO UV-5AT & TC Down V-Guides

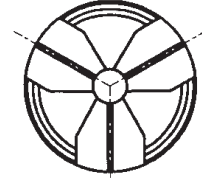
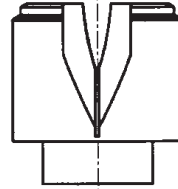
Note: When replacing the down piston in a **UV-5A** valve manufactured before November 2005, you must replace the down piston and down closure assembly (kit number 5627A-() on page 60).



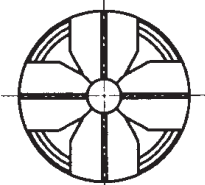
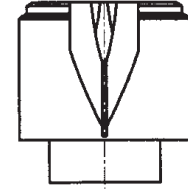
**1/4 Valve
5024-2**



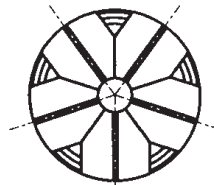
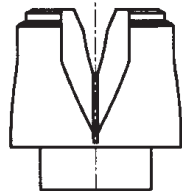
**1/2 Valve
5024-3**



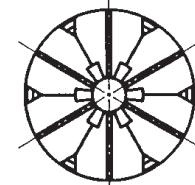
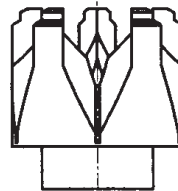
**3/4 Valve
5024-4**



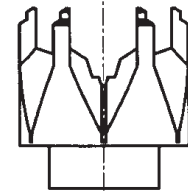
**1 Valve
5024-5**



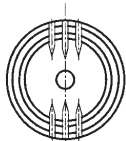
**1-1/4 Valve
5024-6**



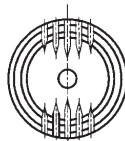
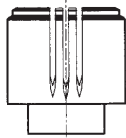
**1-1/2 Valve
5024-7
(For UV-5ATC Valve Only)**



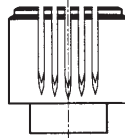
PREVIOUS DESIGN



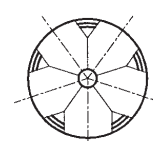
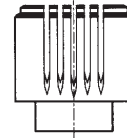
**1/2 Valve
5024-3**



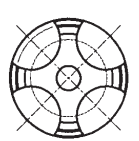
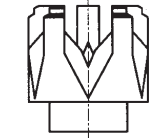
**3/4 Valve
5024-4**



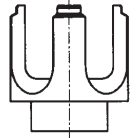
**1 Valve
5024-5**



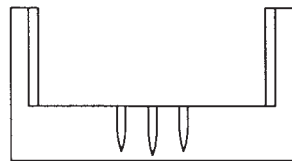
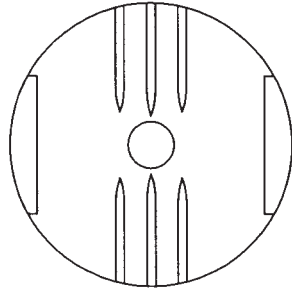
**1-1/4 Valve
5024-6**



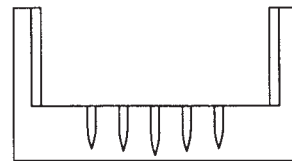
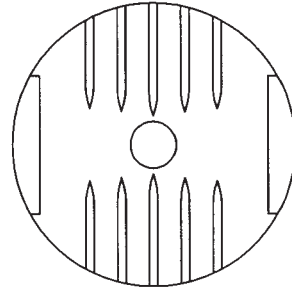
**1-1/2 Valve
5024-7**



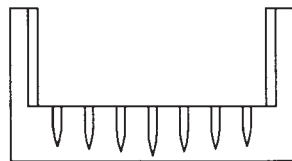
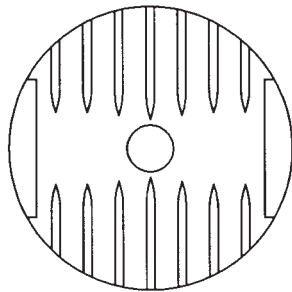
UV-5AT & TC Check Poppet V-Guides



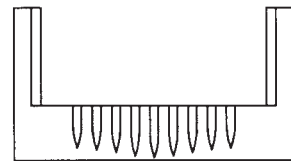
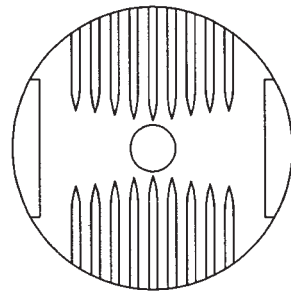
**1/4 - 1/2 Valve
5603-3**



**3/4 Valve
5603-4**



**1 Valve
5603-5**



**1-1/4 Valve
5603-6**